



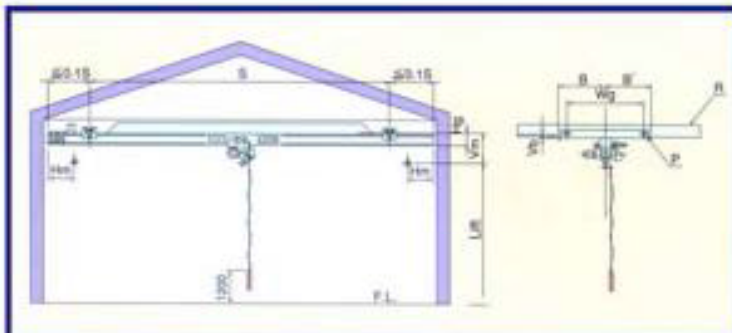
Suspension Type Overhead Traveling Crane with Hoist

Particulars

Rated load		1Ton		2Ton		3Ton		5Ton	
Hoisting	Lift (m)	12							
	Speed (m/min)	10							
	Motor Output (kW)	2.4		3.5		5.3		7.5	
	Duty factor	40%ED							
	Type	Totally enclosed squirrel-cage three phase induction motor							
Control		VVVF							
Traversing	Speed (m/min)	25							
	Motor Output (kW)	0.26						1	
	Duty factor	30min							
	Type	Totally enclosed squirrel-cage three phase induction motor							
	Control		VVVF						
Traveling	Span (m)	-9	-15	-9	-15	-9	-15	-9	-15
	Speed (m/min)	24							
	Motor Output (kW)	0.25x2sets	0.4x2sets	0.25x2sets	0.4x2sets	0.25x2sets	0.4x2sets	0.75x2sets	
	Duty factor	30min							
	Type	Totally enclosed squirrel-cage three phase induction motor							
	Control		VVVF						
Operation		Push button switch box							
Power source		AC380V 50Hz 3Phase							

Dimensions

Rated load		1Ton		2Ton		3Ton		5Ton	
Mark	Item								
S	Span (m)	-9	-15	-9	-15	-9	-15	-9	-15
R	Traveling Rail (I-beam height) (mm)	100 or 125	125 or 150	100 or 125	125 or 150	125 or 150			
Vm	(mm)	720	770	830	880	970		1130	
Hm	(mm)	400		500				600	
Hg	Crane height (mm)	280	330	320	370		430		
Vb	Buffer height (mm)	65						85	
B1	Crane width (Driving side) (mm)	750	1100	750	1100	950	1100	950	1100
B2	Crane width (Driven side) (mm)	750	1100	750	1100	950	1100	950	1100
Wg	Wheel Base (mm)	1100	1800	1100	1800	1400	1800	1400	1800



IHI CRANE

Hoist Type

Introduction of Products

GV Type

Original inverter specially developed for hoist has realized the miniaturization and versatility.

Functions, which detect the hook position and change to higher hoisting speed when zero load is detected, offer high level of operation efficiency.

G Type

For high frequency use

G type series is heavy - duty type hoists for applications involving high frequency operations. Its hoisting speed and the duty class is the highest available. For more safety, a microprocessor control circuit which automatically prevents overloading is equipped.

JV Type

This hoist is produced by utilizing the power electronics technology accumulated by IUK and has new variable speed type.

This type is popular for excellent operation.

J Type

For medium frequency use.

This hoist is structurally simple and economical with real capability.

This hoist is provided with one class higher capability and both power and worthy of its real capability and economical efficiency.



Production model

Type	Frequency of use	Type of Control system		1/2	1	2	3	5	7.5	10	15	20	30	45	60
		Inverter	Magnetic contactor												
Variable Speed Type	GV	High	<input type="radio"/>	<input type="radio"/>	<input type="radio"/>	<input type="radio"/>	<input type="radio"/>	<input type="radio"/>	<input type="radio"/>	<input type="radio"/>	<input type="radio"/>	<input type="radio"/>	<input type="radio"/>	<input type="radio"/>	<input type="radio"/>
	JV	Medium	<input type="radio"/>	<input type="radio"/>	<input type="radio"/>	<input type="radio"/>	<input type="radio"/>	<input type="radio"/>	<input type="radio"/>	<input type="radio"/>	<input type="radio"/>	<input type="radio"/>	<input type="radio"/>	<input type="radio"/>	<input type="radio"/>
Fixed speed type	G	High	<input type="radio"/>	<input type="radio"/>	<input type="radio"/>	<input type="radio"/>	<input type="radio"/>	<input type="radio"/>	<input type="radio"/>	<input type="radio"/>	<input type="radio"/>	<input type="radio"/>	<input type="radio"/>	<input type="radio"/>	<input type="radio"/>
	J	Medium	<input type="radio"/>	<input type="radio"/>	<input type="radio"/>	<input type="radio"/>	<input type="radio"/>	<input type="radio"/>	<input type="radio"/>	<input type="radio"/>	<input type="radio"/>	<input type="radio"/>	<input type="radio"/>	<input type="radio"/>	<input type="radio"/>



PT. Pomala Binatama

We Build Our Reputation By Taking Care Of Yours

Komplek Grand Ansel Center
Jl. RE. Martadinata No.1
Blok A No. 5-6
Jakarta 14430, Indonesia

Sunabaya Office
Jl. Jakarta 48A Perak
Sunabaya 60163, Indonesia

tel. +62 21 691 0788
fax. +62 21 690 5322
info@pomala.co.id
www.pomala.co.id

tel. +62 31 328 1072
fax. +62 31 328 5307
sunabaya@pomala.co.id